

Technical data sheet

Product features



Fry-top griddle plate combined chrome plated

Model	SAP Code	00020638
--------------	-----------------	----------



- Top type: Grooved
- Griddle dimensions [mm x mm]: 560 x 770
- Griddle thickness [mm]: 12.00
- Worktop material: AISI 304
- Container for liquid fat: Yes
- Independent heating zones: Separate control for each heating zone
- Surface finish: polished chrome 0.03 mm
- Removable rim: Yes
- Ignition: Piezo + Eternal Flame

SAP Code	00020638	Power gas [kW]	14.000
Net Width [mm]	800	Type of gas	Natural gas, propane butane
Net Depth [mm]	730	Griddle dimensions [mm x mm]	560 x 770
Net Height [mm]	300	Top type	Grooved
Net Weight [kg]	75.00	Worktop type	Molded - comfortable cleaning maintenance

Technical data sheet

Technical drawing

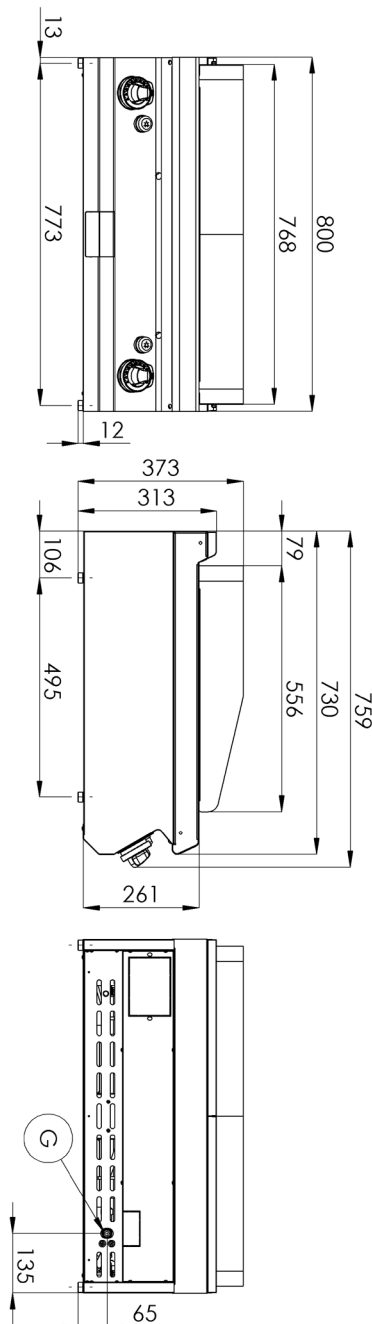


Fry-top griddle plate combined chrome plated

Model

SAP Code

00020638



Technical data sheet

Technical parameters



Fry-top griddle plate combined chrome plated

Model

SAP Code

00020638

1. SAP Code:

00020638

2. Net Width [mm]:

800

3. Net Depth [mm]:

730

4. Net Height [mm]:

300

5. Net Weight [kg]:

75.00

6. Gross Width [mm]:

840

7. Gross depth [mm]:

800

8. Gross Height [mm]:

480

9. Gross Weight [kg]:

84.00

10. Device type:

Gas unit

11. Construction type of device:

Table top

12. Power gas [kW]:

14.000

13. Ignition:

Piezo + Eternal Flame

14. Type of gas:

Natural gas, propane butane

15. Exterior color of the device:

Stainless steel

16. Material:

AISI 304 top plate and cladding

17. Worktop type:

Molded - comfortable cleaning maintenance

18. Worktop material:

AISI 304

19. Worktop Thickness [mm]:

1.50

20. Surface finish:

polished chrome 0.03 mm

21. Service accessibility:

Trough the frontal panel

22. Safety thermocouple:

Yes

23. Griddle dimensions [mm x mm]:

560 x 770

24. Griddle thickness [mm]:

12.00

25. Container for liquid fat:

Yes

26. Removable device container:

No

27. Independent heating zones:

Separate control for each heating zone

28. Removable rim:

Yes

Technical data sheet

Technical parameters



Fry-top griddle plate combined chrome plated

Model

SAP Code

00020638

29. Uniform heating:

Yes

30. Top type:

Grooved